

## KRAIBURG ergoBOARD

### prerequisites:

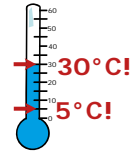


**mats are already installed in the cubicles**

**concrete area:**

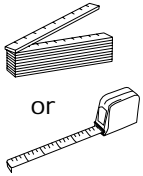
- no holes
- no elevations

**ergoBOARDs:**  
even temperature: minimum 5° C to maximum 30° C (store according to initial temperature)

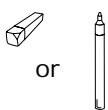


### You will need this:

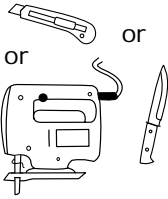
**measuring:**



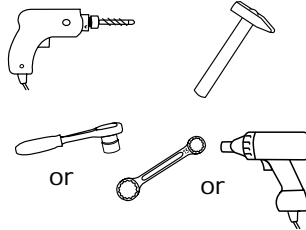
**marking:**



**cutting:**



**drilling and installing:**



**KRAIBURG fastening elements:**

framing plugs ø 10 x 80 mm with

- hexagon screw (SW 13) - A2
- washer ø 40 mm - A2

(fastening elements are part of delivery)

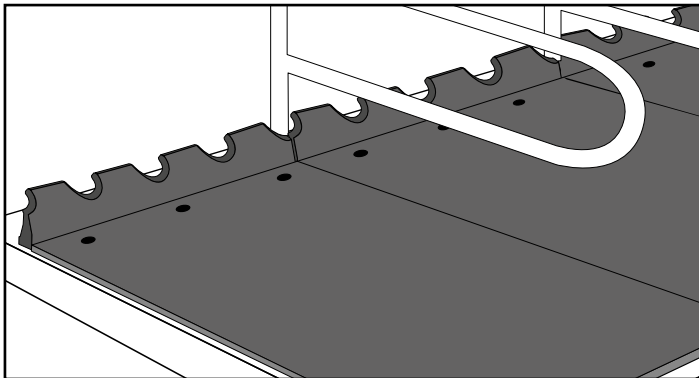


**Important: use ergoBOARDs with adequate length:**

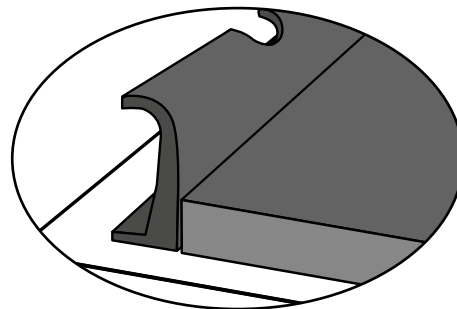
- width of lying place 115 cm: ergoBOARD with 115 cm length
  - width of lying place 120 cm or more: ergoBOARD with 120 cm length
  - width of lying place between 115 and 120 cm: mix both lengths
- (The installation of ergoBOARD is only possible at a width of lying place of at least 115 cm.)

## 1 Position ergoBOARDs

put together loosely and arrange **centered towards lying place**



rounded edge facing forward

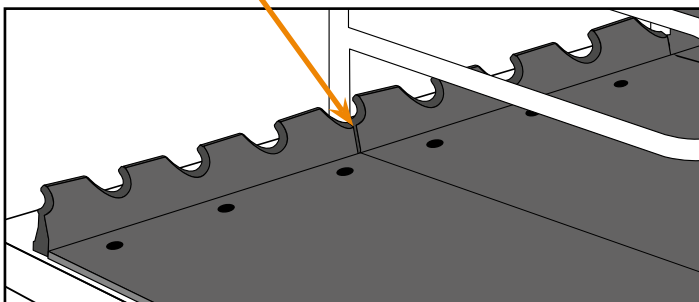


position optionally with a gap between lying mat and ergoBOARD

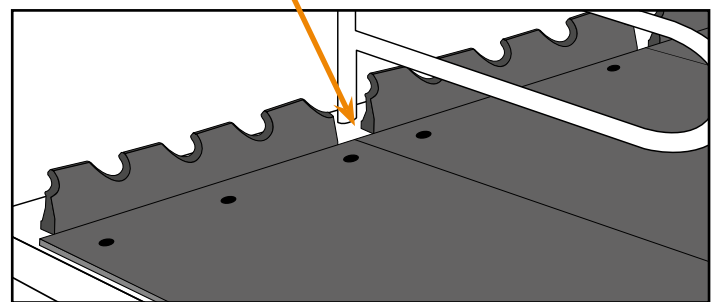


Two installing options possible:

joint is under the divider (max. +/- 6 cm)



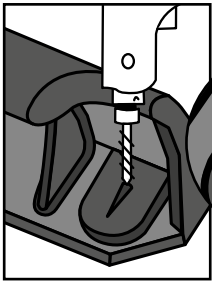
a gap between two ergoBOARDs can be possible



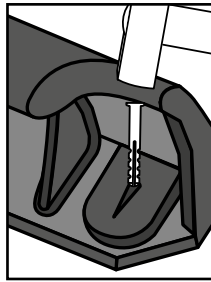
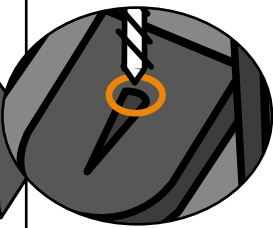
## ② Fastening

fasten at the pre-fabricated markings:

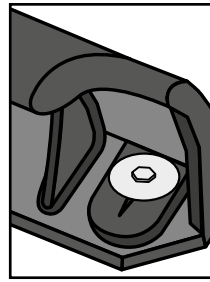
! fasten at each marking!



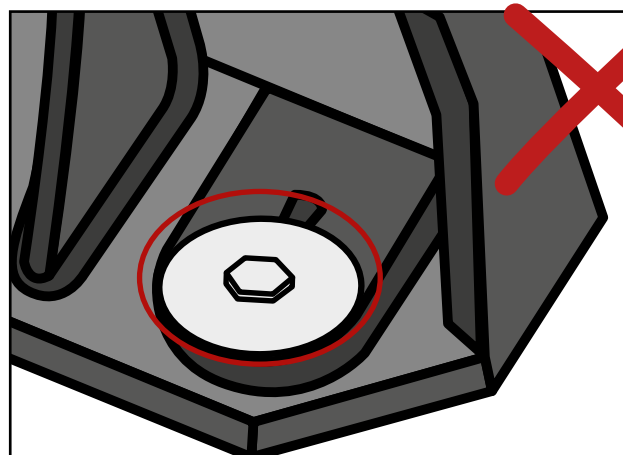
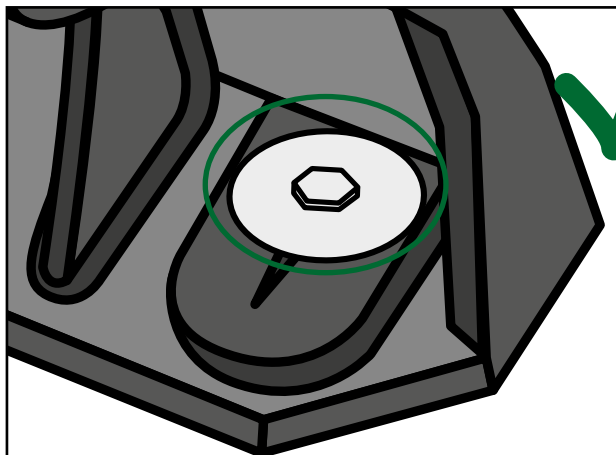
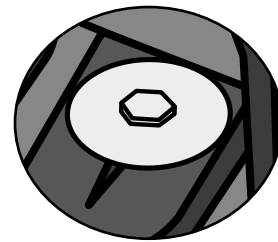
drill



pound the plastic plugs in flush



fasten screws and washers until they are seated evenly fast.  
**Do not overtighten!**



- i tip: avoid slippage:**
1. drill first hole
  2. pound in a plug (-> fixation)
  3. afterwards drill further holes and so on