

# GUIDELINES FOR SCRAPER MANURE REMOVAL

for manure scraper systems on paved floors with **KURA P**

## prerequisites:

the walking area mats were installed according to the KRAIBURG installation instructions

## fundamentally:

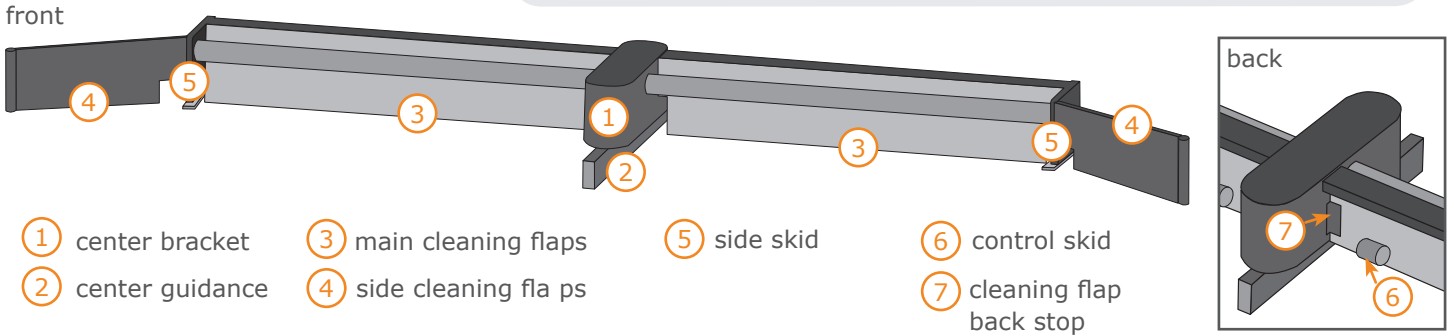
use scrapers especially developed for rubber floors

### structural alterations:

adapt scraper facilities in collaboration with the scraper manufacturer, according to the KRAIBURG scraper guidelines

### attention:

only materials with a rubber/plastic or rather metal base can come into contact with the rubber mats, no abrasive materials, e.g. concrete



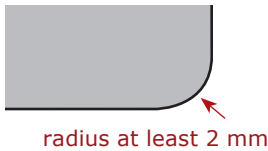
## Minimum Requirements

### ► Unsharpen the edges of the scraper parts

all edges coming into contact with the mats must be made blunt (chamfered or rounded)  
check scraper facility for sharp edges caused by wear and tear!

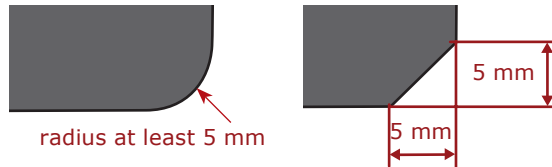
#### cleaning flaps (3), (4):

at least with R2



#### center bracket (1) and side skids (5):

at least with R5 or chamfer 5 x 45°



### important:

regular maintenance!  
check the scraper once a year!

### ► Bearing pressure should be as low as possible

#### • Bearing surface of scraper parts:

	standard scrapers with center bracket up to about 250 kg total weight:	heavy scrapers with center bracket up to about 500 kg total weight:
center bracket (1) and side skids (5)	minimum 4 cm wide	minimum 8 cm wide
control skids of cleaning flaps (6)	minimum 6 cm wide	minimum 8 cm wide

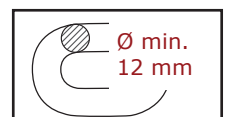
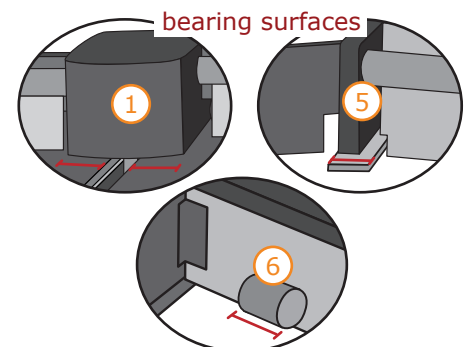
extremely heavy scrapers and scrapers with no center bracket:  
enlarge bearing surface respectively  
(calculate the surface pressure of the scraper parts)

#### • Maximum allowable surface pressure of scraper parts:

on the center bracket (1): up to 0.3 kg/cm<sup>2</sup>  
on the side skids (5): up to 0.5 kg/cm<sup>2</sup>

### ► Scraper without center guidance:

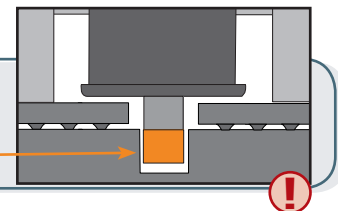
- set the deflection pulley higher, according to mat thickness
- steel ropes cannot lie directly on the rubber mat  
-> protect mat from abrasion from the rope!
- no abrasion protection needed for the mat, if:
  - a **rod steel link chain** with at least a 12 mm diameter is used
  - a plastic rope or plastic covered rope is used



## Scraper adaptation

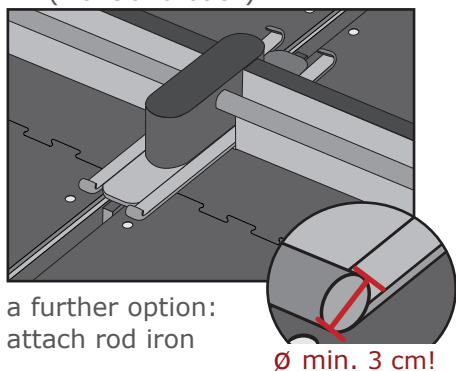
### ► Center bracket ①

**attention:** Make sure that after installation the guide is securely in the designated groove. Heighten the guide by the mat's thickness (24 mm)!



#### Options:

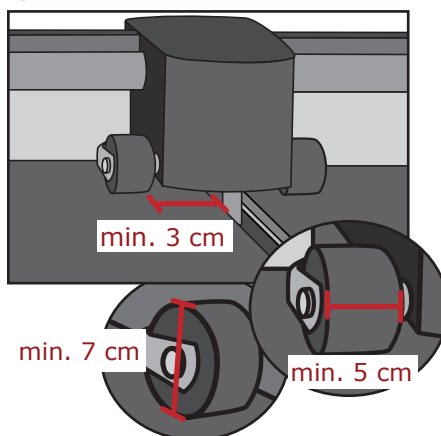
#### ① skid form bearing surface (front and back)



a further option:  
attach rod iron

Ø min. 3 cm!

#### ② rollers



min. 3 cm

min. 7 cm

min. 5 cm

#### ③ it might be necessary to raise the center bracket

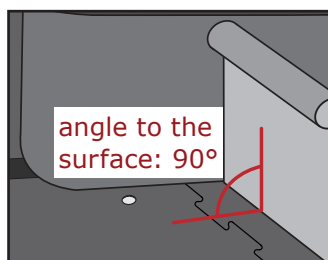


min. 5 mm!

minimum distance from mat:  
5 mm!

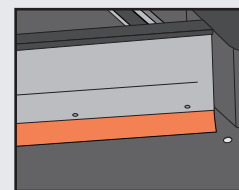
### ► Cleaning flaps ③

#### Prerequisite:

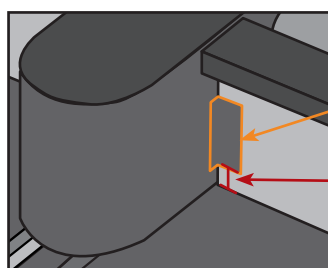


angle to the  
surface: 90°

An elastic **rubber or plastic lip** on the cleaning flaps is not required, but can contribute to better cleaning results (especially advantageous when there are hollows, i.e. uneven floors).



#### cleaning flap back stop ⑦

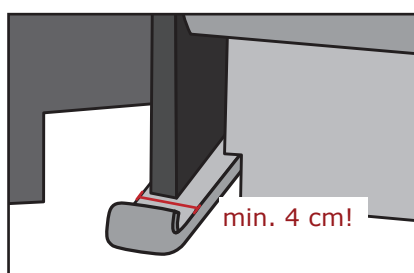


cleaning flap back stop

no contact to the surface!  
distance important!

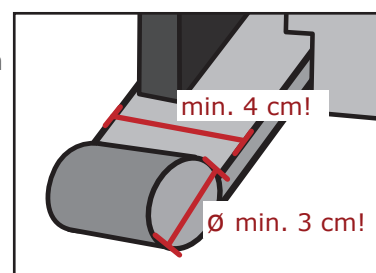
### ► Side skids ⑤

bend in skid form in the front and back



min. 4 cm!

a further option:  
attach a rod iron



min. 4 cm!

Ø min. 3 cm!