

For scraper crossing above drainshaft

prerequisites:

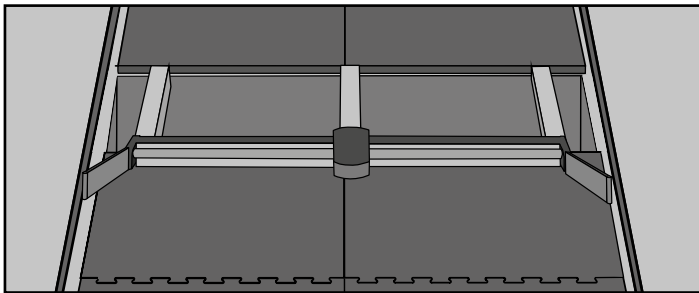


The walking area mats were installed according to the KRAIBURG installation instructions

fundamentally: use scrapers especially developed for rubber floors

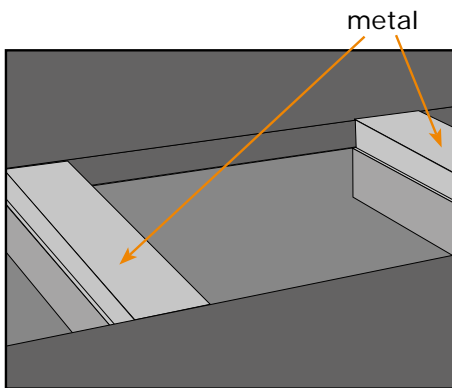
structural alterations: collaboration with the scraper manufacturer, according to the KRAIBURG guidelines for manure scrapers

attention: the crossing material should be made of metal

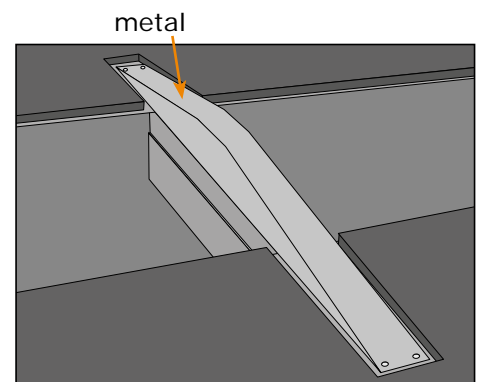


Minimum Requirements

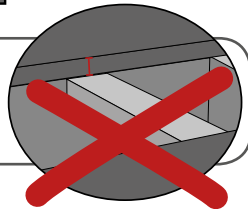
- ▶ Crossing on one level with the mat
- ▶ No steps, where the scraper can get caught!



tip: a formed bar is even better suited for passing
-> e.g. attach a formed iron



No steps!
Crossing not below mat level!



Examples from practice:

